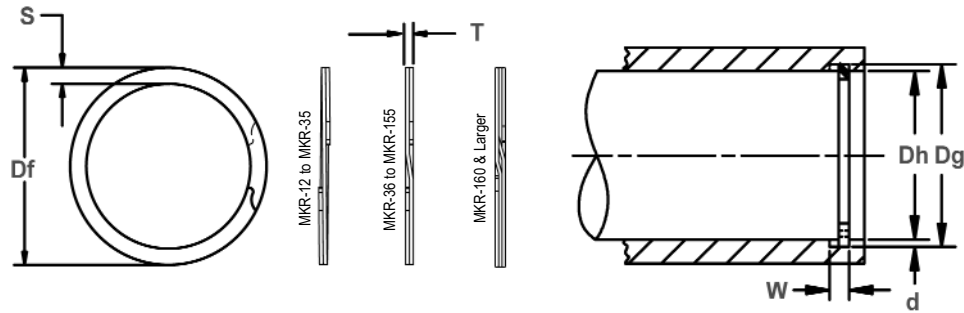


MKR Spiral Housing Rings

Internal, Medium-Heavy Duty Metric

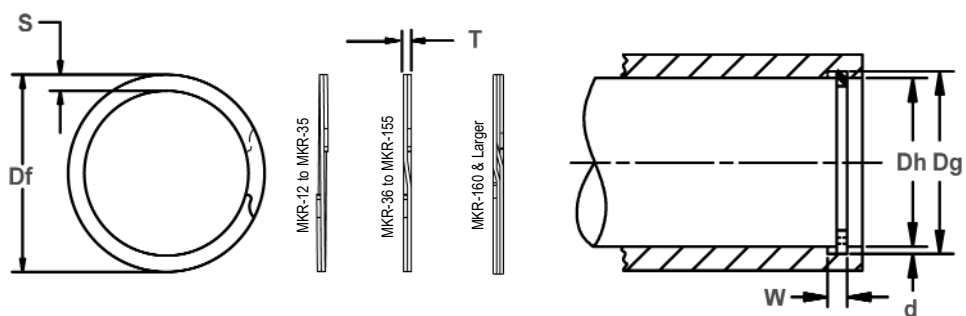
With load bearing capacities closer to the Heavy-duty series, and almost universal groove dimensions, these rings offer greatest ease of assembly with greatest thrust capacity.



Free Diameter & Ring Measurements

Housing Diameter & Groove Dimensions

RING NO.	HOUSING DIAMETER	GROOVE SIZE				FREE DIAMETER		RING SIZE THICKNESS		SECTION	
		DIAMETER		WIDTH		Df	Tol.	T	Tol.	S	Tol.
		Dg	Tol.	W	Tol.						
MKR-12	12	12.60	+0.08 -0.08	1.00	+0.08 -0.00	12.73	± 0.00	0.89	+0.05 -0.05	1.14	+0.08 -0.13
MKR-13	13	13.60		1.00		13.73		0.89		1.14	
MKR-14	14	14.76		1.00		14.89		0.89		1.14	
MKR-15	15	15.86		1.00		16.01		0.89		1.14	
MKR-16	16	16.86		1.00		17.01		0.89		1.14	
MKR-17	17	17.90		1.00		18.05		0.89		1.40	
MKR-18	18	18.90		1.00		19.05		0.89		1.40	
MKR-19	19	20.00		1.00		20.15		0.89		1.40	
MKR-20	20	21.06		1.17		21.21		1.07		1.65	
MKR-21	21	22.12		1.17		22.30		1.07		1.65	
MKR-22	22	23.16	1.17	23.34	1.07	1.65					
MKR-23	23	24.22	1.17	24.50	1.07	1.65					
MKR-24	24	25.26	1.17	25.46	1.07	1.90					
MKR-25	25	26.40	1.17	26.60	1.07	1.90					
MKR-26	26	27.42	1.17	27.62	1.07	1.90					
MKR-28	28	29.48	+0.10 -0.10	1.42	+0.10 -0.00	29.71	± 0.00	1.27	+0.08 -0.13	1.98	+0.10 -0.15
MKR-29	29	30.52		1.42		30.77		1.27		1.98	
MKR-30	30	31.56		1.42		31.81		1.27		2.24	
MKR-32	32	33.80		1.42		34.05		1.27		2.50	
MKR-33	33	34.84		1.42		35.12		1.27		2.50	
MKR-34	34	35.88		1.42		36.16		1.27		2.50	
MKR-35	35	36.90		1.42		37.18		1.27		2.50	
MKR-36	36	37.90		1.42		38.18		1.27		2.50	
MKR-37	37	39.00		1.42		39.28		1.27		2.75	
MKR-38	38	40.00		1.42		40.28		1.27		2.75	
MKR-39	39	41.06	1.42	41.37	1.27	2.75					
MKR-40	40	42.14	+0.13 -0.13	1.73	+0.13 -0.00	42.44	± 0.00	1.57	+0.08 -0.08	3.00	+0.10 -0.15
MKR-41	41	43.24		1.73		43.54		1.57		3.00	
MKR-42	42	44.34		1.73		44.64		1.57		3.00	
MKR-43	43	45.36		1.73		45.69		1.57		3.00	
MKR-44	44	46.38		1.73		46.81		1.57		3.00	
MKR-45	45	47.40		1.73		47.73		1.57		3.00	
MKR-47	47	49.54		1.73		49.84		1.57		3.25	
MKR-48	48	50.54		1.73		50.90		1.57		3.25	
MKR-50	50	52.64		1.73		53.00		1.57		3.50	
MKR-52	52	54.84		2.18		55.22		1.98		3.58	
MKR-53	53	55.88	2.18	56.26	1.98	3.58					
MKR-55	55	57.94	2.18	58.34	1.98	3.58					
MKR-56	56	58.94	2.18	59.34	1.98	3.58					
MKR-58	58	61.20	2.18	61.63	1.98	4.77					
MKR-59	59	62.22	2.18	62.65	1.98	4.77					
MKR-60	60	63.30	2.18	63.73	1.98	4.77					
MKR-61	61	64.30	2.18	64.76	1.98	4.77					
MKR-62	62	65.36	2.18	65.82	1.98	4.77					
MKR-63	63	66.40	2.18	66.86	1.98	4.77					
MKR-64	64	67.40	2.18	67.90	1.98	4.77					
MKR-65	65	68.50	2.62	69.00	2.36	4.77					
MKR-66	66	69.50	2.62	70.03	2.36	4.77					



Free Diameter & Ring Measurements

Housing Diameter & Groove Dimensions

RING NO.	HOUSING DIAMETER	GROOVE SIZE				FREE DIAMETER		RING SIZE THICKNESS		SECTION	
		DIAMETER		WIDTH		Df	Tol.	T	Tol.	S	Tol.
		(mm)	Dg	Tol.	W						
MKR-67	67	70.60		2.62		71.13		2.36		4.77	
MKR-68	68	71.66		2.62		72.19		2.36		4.77	
MKR-69	69	72.74		2.62		73.27		2.36		4.77	
MKR-70	70	73.80		2.62		74.33		2.36		4.77	
MKR-71	71	74.80		2.62		75.36		2.36		4.77	
MKR-72	72	75.86		2.62		76.42		2.36		4.77	
MKR-75	75	79.00		2.62		79.58		2.36		4.77	
MKR-78	78	82.26		3.05		82.95		2.82		6.35	
MKR-80	80	84.36		3.30		85.02		2.82		6.35	
MKR-82	82	86.40		3.05		87.06		2.82		6.35	
MKR-85	85	89.58	+0.15	3.05	+0.13	90.21		2.82	+0.08	6.35	
MKR-88	88	92.78	-0.15	3.05	-0.00	93.44		2.82	-0.08	6.35	
MKR-90	90	94.88		3.05		95.54		2.82		6.35	
MKR-92	92	97.00		3.05		97.68		2.82		6.35	
MKR-95	95	100.20		3.05		100.88		2.82		6.35	
MKR-98	98	103.40		3.05		104.11		2.82		6.35	
MKR-100	100	105.40		3.05		106.11		2.82		6.35	
MKR-102	102	107.60		3.05		108.31		2.82		6.35	
MKR-105	105	110.60		3.05		111.34		2.82		7.92	
MKR-108	108	113.60		3.05		114.36		2.82		7.92	
MKR-110	110	115.74		3.05		116.50		2.82		7.92	
MKR-112	112	117.84		3.05		118.60		2.82		7.92	
MKR-115	115	121.00		3.05		121.83	± 0.00	2.82		7.92	
MKR-120	120	126.20		3.05		127.04		2.82		7.92	
MKR-125	125	131.50		3.05		132.39		2.82		7.92	
MKR-130	130	136.70		3.05		137.61		2.82		7.92	
MKR-135	135	141.90		3.53		142.90		3.23		9.52	
MKR-140	140	146.90	+0.18	3.53	+0.15	147.91		3.23	+0.10	9.52	
MKR-145	145	151.90	-0.18	3.53	-0.00	152.97		3.23	-0.10	9.52	
MKR-150	150	156.90		3.53		158.02		3.23		9.52	
MKR-155	155	161.90		3.53		163.04		3.23		9.52	
MKR-160	160	167.10		4.42		168.27		4.20		7.92	
MKR-165	165	172.36		4.42		173.55		4.20		7.92	
MKR-170	170	177.70		4.42		178.94		4.20		7.92	
MKR-175	175	182.80		4.42		184.09		4.20		7.92	
MKR-180	180	188.00		4.42		189.30		4.20		7.92	
MKR-185	185	193.24	+0.20	5.30	+0.20	194.59		4.80	+0.13	9.52	
MKR-190	190	198.64	-0.20	5.30	-0.00	200.04		4.80	-0.13	9.52	
MKR-195	195	203.74		5.30		205.14		4.80		9.52	
MKR-200	200	208.90		5.30		210.37		4.80		9.52	
MKR-210	210	219.40		5.30		220.92		4.80		9.52	
MKR-220	220	229.90		5.30		231.52		4.80		9.52	
MKR-230	230	240.20		5.30		241.90		4.80		9.52	
MKR-240	240	250.90		5.30		252.65		4.80		9.52	
MKR-250	250	260.90		5.30		262.70		4.80		9.52	
MKR-260	260	271.40		5.30		273.20		4.80		9.52	
MKR-270	270	281.40		5.30		283.20		4.80		9.52	