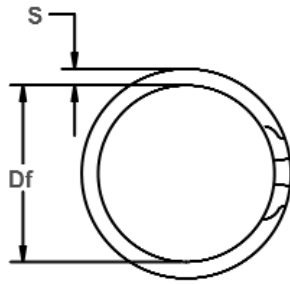


MCM Spiral Shaft Rings

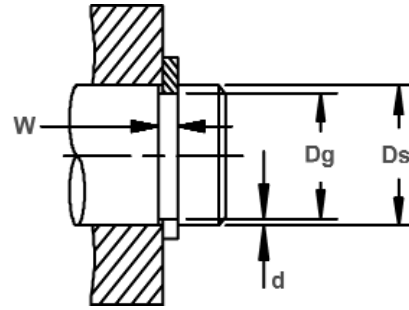
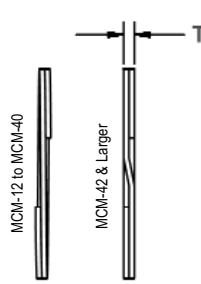
External, Medium Duty, Metric

These rings offer the greatest economy in price and size.

They are able to handle approximately twice the thrust capacity of the MCL series.

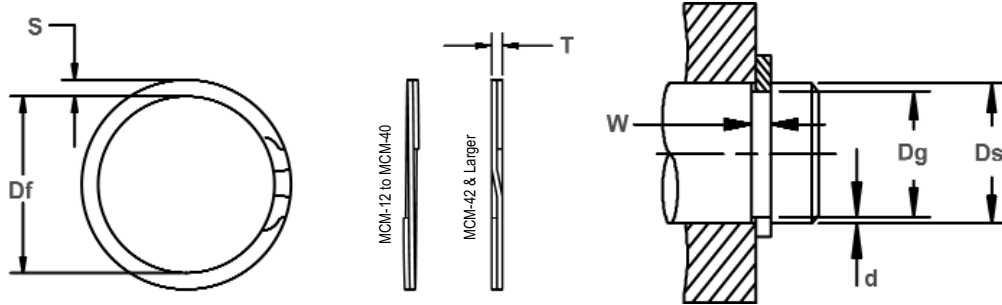


Free Diameter & Ring Measurements



Shaft Diameter & Groove Dimensions

RING NO.	SHAFT DIAMETER	GROOVE SIZE				RING SIZE					
		DIAMETER		WIDTH		FREE DIAMETER		THICKNESS		SECTION	
		(mm)	Dg	Tol.	W	Tol.	Df	Tol.	T	Tol.	S
MCM-12	12	11.34	+ 0.10 -0.00	0.75	+ 0.08 -0.00	11.21	± 0.33	0.64	+0.05 -0.05	1.14	+0.08 -0.13
MCM-13	13	12.28		0.75		12.15		0.64		1.14	
MCM-14	14	13.28		0.75		13.15		0.64		1.14	
MCM-15	15	14.28		0.75		14.15		0.64		1.14	
MCM-16	16	15.14		0.75		14.98		0.64		1.40	
MCM-17	17	16.14		0.75		15.98		0.64		1.40	
MCM-18	18	17.14		0.75		16.98		0.64		1.40	
MCM-19	19	18.14		0.91		17.98		0.80		1.65	
MCM-20	20	19.14		0.91		18.98		0.80		1.65	
MCM-21	21	20.14		0.91		19.98		0.80		1.65	
MCM-22	22	21.00	0.91	20.82	0.80	1.65					
MCM-23	23	22.00	0.91	21.82	0.80	1.65					
MCM-24	24	23.00	0.91	22.80	0.80	1.65					
MCM-25	25	23.84	+0.13 -0.00	1.07	23.64	0.94	1.90				
MCM-26	26	24.84		1.07	24.61	0.94	1.90				
MCM-27	27	25.84		1.07	25.61	0.94	1.90				
MCM-28	28	26.84		1.07	26.61	0.94	1.90				
MCM-29	29	27.84	+0.20 -0.00	1.07	27.61	0.94	1.90				
MCM-30	30	28.68		1.22	28.45	1.10	2.16				
MCM-32	32	30.68		1.22	30.43	1.10	2.16				
MCM-33	33	31.68		1.22	31.42	1.10	2.40				
MCM-34	34	32.68		1.22	32.43	1.10	2.40				
MCM-35	35	33.60		1.22	33.32	1.10	2.40				
MCM-36	36	34.60		1.22	34.32	1.10	2.40				
MCM-37	37	35.66		1.22	35.36	1.10	2.40				
MCM-38	38	36.60		1.22	36.32	1.10	2.40				
MCM-39	39	37.48		+0.25 -0.00	1.42	37.25	1.25	2.75			
MCM-40	40	38.48	1.42		38.18	1.25	2.75				
MCM-42	42	40.40	1.42		40.10	1.25	2.75				
MCM-43	43	41.38	1.42		41.04	1.25	3.00				
MCM-44	44	42.38	1.42		42.06	1.25	3.00				
MCM-45	45	43.28	1.42		42.95	1.25	3.00				
MCM-47	47	45.22	1.42		44.85	1.25	3.25				
MCM-48	48	46.20	1.42		45.85	1.25	3.25				
MCM-50	50	48.20	1.42		47.82	1.25	3.25				
MCM-52	52	50.00	1.42		49.62	1.25	3.25				
MCM-53	53	51.00	+0.30 -0.00	1.42	50.62	1.25	3.25				
MCM-54	54	52.00		1.42	51.62	1.25	3.25				
MCM-55	55	53.00		1.42	52.62	1.25	3.50				
MCM-56	56	54.00		1.42	53.62	1.25	3.50				
MCM-58	58	55.86		1.42	55.43	1.25	3.50				
MCM-59	59	56.86		1.42	56.43	1.25	3.50				
MCM-60	60	57.86		1.42	57.43	1.25	3.50				
MCM-61	61	58.76		1.42	58.36	1.25	3.50				
MCM-62	62	59.76		1.42	59.30	1.25	3.76				



Free Diameter & Ring Measurements

Shaft Diameter & Groove Dimensions

RING NO.	SHAFT DIAMETER	GROOVE SIZE				RING SIZE					
		DIAMETER		WIDTH		FREE DIAMETER		THICKNESS		SECTION	
		(mm)	Dg	Tol.	W	Tol.	Df	Tol.	T	Tol.	S
MCM-63	63	60.76		1.42		60.30		1.25		3.76	
MCM-64	64	61.76		1.42		61.25		1.25		3.76	
MCM-65	65	62.66		1.42		62.20	± 0.63	1.25		3.76	
MCM-66	66	63.64		1.42		63.16		1.25		3.76	
MCM-67	67	64.56		1.42	+0.10	64.16		1.25		3.76	
MCM-68	68	65.56		1.42	-0.00	65.08		1.25		4.00	
MCM-69	69	66.56		1.42		66.06		1.25		4.00	
MCM-70	70	67.56		1.42		67.08		1.25		4.00	
MCM-71	71	68.56		1.42		68.04		1.25	+0.08	4.00	
MCM-72	72	69.50		1.42		69.00		1.25	-0.08	4.27	
MCM-75	75	72.46	+0.30	1.42		71.93	± 0.76	1.25		4.27	
MCM-78	78	75.40	-0.00	1.73		74.84		1.55		4.27	
MCM-80	80	77.36		1.73		76.80		1.55		4.52	
MCM-82	82	79.30		1.73		78.72		1.55		4.52	
MCM-85	85	82.20		1.73		81.62		1.55		4.77	
MCM-88	88	85.16		1.73		84.53		1.55		4.77	
MCM-90	90	87.06		1.73		86.43		1.55		5.03	
MCM-95	95	92.00		1.73		91.37		1.55		5.03	
MCM-100	100	96.86		1.73		96.10		1.55		5.28	
MCM-105	105	101.70		1.73	+0.13	100.94	± 0.99	1.55		5.53	+0.10
MCM-110	110	106.54	-0.00	1.73		105.75		1.55		5.80	-0.15
MCM-115	115	111.40		1.73		110.59		1.55		6.05	
MCM-120	120	116.30		2.00		115.49		1.83		6.35	
MCM-125	125	121.30		2.00		120.44		1.83		6.35	
MCM-130	130	126.20		2.00		125.34		1.83		6.35	
MCM-135	135	131.10		2.00		130.20		1.83		6.35	
MCM-140	140	136.08	+0.35	2.00		135.14	± 1.30	1.83		6.35	
MCM-145	145	141.00	-0.00	2.00		140.00		1.83		6.35	
MCM-150	150	146.00		2.00		145.00		1.83		6.35	
MCM-155	155	150.40		2.40		149.33		2.18		7.92	
MCM-160	160	155.40		2.40		154.31		2.18		7.92	
MCM-165	165	160.40		2.40		159.23		2.18		7.92	
MCM-170	170	165.20		2.40		164.00	± 1.52	2.18	+0.10	7.92	
MCM-175	175	170.20		2.40		169.00		2.18	-0.10	7.92	
MCM-180	180	175.00		2.40		173.78		2.18		7.92	
MCM-185	185	180.00		2.40	+0.15	178.70		2.18		7.92	
MCM-190	190	185.00		2.40	-0.00	183.70		2.18		7.92	
MCM-195	195	189.80	+0.40	2.40		188.43		2.18		7.92	+0.10
MCM-200	200	194.80	-0.00	2.40		193.43		2.18		7.92	-0.20
MCM-210	210	204.40		2.40		202.93		2.18		9.52	
MCM-220	220	214.20		2.40		212.65	± 1.78	2.18		9.52	
MCM-230	230	224.20		2.40		222.60		2.18		9.52	
MCM-240	240	234.00		2.40		232.32		2.18		9.52	
MCM-250	250	243.60		2.40		241.83		2.18		9.52	
MCM-260	260	253.40		2.40		251.57		2.18		9.52	