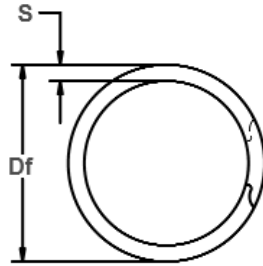


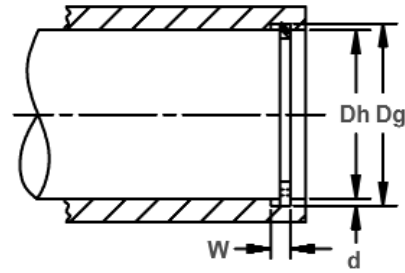
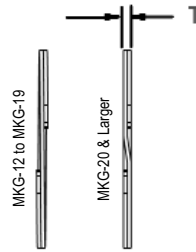
MKG Spiral Housing Rings

Internal, Heavy Duty, Metric

The greatest size range and thrust capacity make these rings the only choice for applications that require minimum deflection or thrust loads that demand a deep groove capacity.

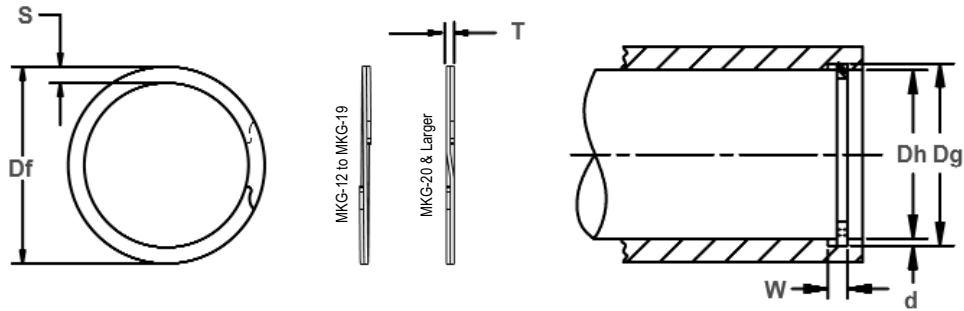


Free Diameter & Ring Measurements



Housing Diameter & Groove Dimensions

RING NO.	HOUSING DIAMETER	GROOVE SIZE				RING SIZE					
		DIAMETER		WIDTH		FREE DIAMETER		THICKNESS		SECTION	
		(mm)	Dg	Tol.	W	Tol.	Df	Tol.	T	Tol.	S
MKG-12	12	12.70	+0,05 -0,05	0.70	+0,08 -0,00	12.89	± 0,00	0.60	+0,05 -0,05	1.14	+0,08 -0,13
MKG-13	13	13.75		1.00		13.95		0.89		1.14	
MKG-14	14	14.85		1.00		15.07		0.89		1.40	
MKG-15	15	15.90		1.00		16.14		0.89		1.40	
MKG-16	16	16.95		1.00		17.15		0.89		1.40	
MKG-17	17	18.05		1.00		18.32		0.89		1.65	
MKG-18	18	19.10	1.00	19.39	0.89	1.65					
MKG-19	19	20.17	1.00	20.48	0.89	1.65					
MKG-20	20	21.22	1.00	21.51	0.89	1.90					
MKG-21	21	22.26	1.00	22.56	0.89	1.90					
MKG-22	22	23.37	1.20	23.65	1.07	1.90					
MKG-23	23	24.42	1.20	24.69	1.07	2.16					
MKG-24	24	25.47	1.20	25.73	1.07	2.16					
MKG-25	25	26.67	1.20	27.03	1.07	2.16					
MKG-26	26	27.77	1.20	28.07	1.07	2.16					
MKG-27	27	28.87	1.40	29.11	1.27	2.62					
MKG-28	28	29.87	1.40	30.10	1.27	2.62					
MKG-29	29	30.95	1.40	31.21	1.27	2.62					
MKG-30	30	32.00	1.40	32.28	1.27	2.62					
MKG-31	31	33.05	1.40	33.32	1.27	2.62					
MKG-32	32	34.00	1.40	34.23	1.27	2.62					
MKG-34	34	36.20	1.40	36.46	1.27	3.00					
MKG-35	35	37.30	1.40	37.55	1.27	3.00					
MKG-36	36	38.40	1.40	38.68	1.27	3.00					
MKG-37	37	39.40	1.40	39.60	1.27	3.00					
MKG-38	38	40.50	1.40	40.77	1.27	3.00					
MKG-40	40	42.50	1.75	42.91	1.57	3.25					
MKG-42	42	44.60	1.75	45.01	1.57	3.25					
MKG-45	45	47.70	1.75	48.13	1.57	3.25					
MKG-46	46	48.80	1.75	49.28	1.57	3.25					
MKG-47	47	49.90	1.75	50.32	1.57	4.01					
MKG-48	48	51.00	1.75	51.46	1.57	4.01					
MKG-50	50	53.20	1.75	53.66	1.57	4.01					
MKG-52	52	55.45	2.15	55.91	1.98	4.27					
MKG-55	55	58.55	2.15	59.28	1.98	4.27					
MKG-57	57	60.65	2.15	60.93	1.98	4.27					
MKG-58	58	61.75	2.15	62.66	1.98	5.08					
MKG-60	60	63.95	2.15	64.39	1.98	5.08					
MKG-62	62	65.95	2.15	66.40	1.98	5.08					
MKG-63	63	67.05	2.15	67.74	1.98	5.08					



Free Diameter & Ring Measurements

Housing Diameter & Groove Dimensions

RING NO.	HOUSING DIAMETER	GROOVE SIZE				RING SIZE					
		DIAMETER		WIDTH		FREE DIAMETER		THICKNESS		SECTION	
		(mm)	Dg	Tol.	W	Tol.	Df	Tol.	T	Tol.	S
MKG-65	65	69.15	+0,15 -0,15	2.55	+0,20 -0,00	69.63	± 0,00	2.29	+0,08 -0,08	5.72	+0,10 -0,15
MKG-68	68	72.35		2.55		72.86		2.29		5.72	
MKG-70	70	74.55		2.55		75.06		2.29		5.72	
MKG-72	72	76.65		2.55		77.18		2.29		5.72	
MKG-75	75	79.85		2.55		80.40		2.29		5.72	
MKG-78	78	82.95		2.95		83.53		2.72		7.14	
MKG-80	80	85.15		2.95		85.74		2.72		7.14	
MKG-82	82	87.35		2.95		87.96		2.72		7.14	
MKG-85	85	90.55		2.95		91.18		2.72		7.14	
MKG-88	88	93.75		2.95		94.41		2.72		7.14	
MKG-90	90	95.85	2.95	96.51	2.72	7.14					
MKG-92	92	97.95	2.95	98.64	2.72	7.14					
MKG-95	95	101.15	2.95	101.86	2.72	7.92					
MKG-98	98	104.35	2.95	105.09	2.72	7.92					
MKG-100	100	106.50	2.95	107.29	2.72	7.92					
MKG-102	102	108.60	2.95	109.42	2.72	7.92					
MKG-105	105	111.70	2.95	112.52	2.72	7.92					
MKG-108	108	114.80	2.95	115.64	2.72	7.92					
MKG-110	110	116.90	2.95	117.77	2.72	7.92					
MKG-115	115	122.10	2.95	123.00	2.72	7.92					
MKG-120	120	127.20	2.95	128.14	2.72	7.92					
MKG-125	125	132.30	2.95	133.28	2.72	7.92					
MKG-130	130	137.40	2.95	138.40	2.72	7.92					
MKG-135	135	142.50	3.40	143.53	3.12	8.89					
MKG-140	140	146.70	3.40	148.64	3.12	+0,10 -0,10	8.89				
MKG-145	145	152.70	3.40	153.79	3.12	8.89					
MKG-150	150	157.80	3.40	158.93	3.12	8.89					
MKG-155	155	162.90	3.40	164.05	3.12	8.89					
MKG-160	160	168.00	4.25	169.18	3.78	9.65					
MKG-165	165	173.15	4.25	174.42	3.78	9.65					
MKG-170	170	178.25	4.25	179.55	3.78	9.65					
MKG-175	175	183.45	4.25	184.78	3.78	9.65					
MKG-180	180	188.65	4.25	190.01	3.78	9.65					
MKG-185	185	193.85	5.10	195.25	4.55	+0,13 -0,13	10.62				
MKG-190	190	199.05	5.10	200.50	4.55	10.62					
MKG-200	200	209.25	5.10	210.76	4.55	10.62					
MKG-210	210	219.65	5.10	221.22	4.55	10.62					
MKG-220	220	230.25	5.10	231.91	4.55	10.62					
MKG-230	230	240.85	5.10	242.59	4.55	10.62					
MKG-240	240	251.25	5.10	253.06	4.55	10.62					