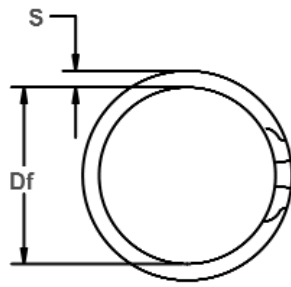


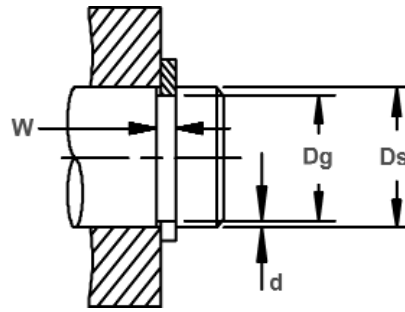
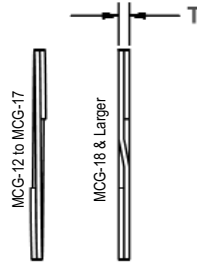
MCG Spiral Shaft Rings

External, Heavy Duty, Metric

The rigors of the toughest applications are easily handled by this external series. Its large size, and ease of application and removal, transfers into an assurance of quality for demanding uses.

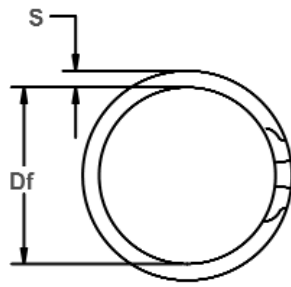


Free Diameter & Ring Measurements

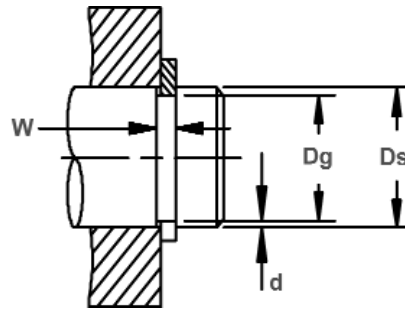
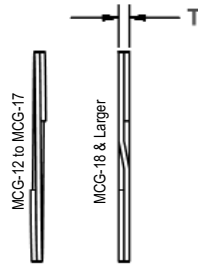


Shaft Diameter & Groove Dimensions

RING NO.	SHAFT DIAMETER	GROOVE SIZE				FREE DIAMETER		RING SIZE THICKNESS		SECTION	
		DIAMETER		WIDTH		Df	Tol.	T	Tol.	S	Tol.
		(mm)	Dg	Tol.	W						
MCG-12	12	11.29	+0.05	0.70		11.18		0.60		1.14	
MCG-13	13	12.24		1.00		12.13		0.89		1.27	
MCG-14	14	13.19	-0.05	1.00		13.06		0.89		1.27	
MCG-15	15	14.09	+0.08	1.00	-0.00	13.98	± 0.33	0.89	+0.05	1.27	-0.13
MCG-16	16	15.03		1.00		14.90		0.89		1.40	
MCG-17	17	16.03		1.00		15.82		0.89		1.40	
MCG-18	18	16.93		1.00		16.80		1.07		1.65	
MCG-19	19	17.88		1.20		17.73		1.07		1.65	
MCG-20	20	18.78		1.20		18.62		1.07		1.65	
MCG-21	21	19.73		1.20		19.57		1.07		1.65	
MCG-22	22	20.63		1.20		20.45		1.07		1.91	
MCG-23	23	21.58		1.20		21.39		1.07		1.91	
MCG-24	24	22.53		1.20		22.35		1.07		1.91	
MCG-25	25	23.43	1.20	23.25	1.07	2.16					
MCG-26	26	24.43	1.20	24.21	1.07	2.16					
MCG-27	27	25.35	+0.10	1.40	-0.10	25.04		1.27	+0.05	2.62	-0.13
MCG-28	28	26.30		1.40		26.00		1.27		2.62	
MCG-29	29	27.27		1.40		26.95		1.27		2.62	
MCG-30	30	28.25		1.40		27.92		1.27		2.62	
MCG-31	31	29.17		1.40		28.84		1.27		2.62	
MCG-32	32	30.10		1.40		29.77		1.27		2.62	
MCG-34	34	31.90		1.40		31.54		1.27		3.00	
MCG-35	35	32.80		1.40		32.44		1.27		3.00	
MCG-36	36	33.75		1.40		33.40		1.27		3.00	
MCG-37	37	34.67		+0.15 -0.15		1.40				34.24	



Free Diameter & Ring Measurements



Shaft Diameter & Groove Dimensions

RING NO.	SHAFT DIAMETER	GROOVE SIZE				RING SIZE				SECTION	
		DIAMETER		WIDTH		FREE DIAMETER		THICKNESS			
		(mm)	Dg	Tol.	W	Tol.	Df	Tol.	T	Tol.	S
MCG-38	38	35.65	+0.15 -0.15	1.40	+0.10 -0.00	35.18	± 0.33	1.27	+0.05 -0.05	3.00	+0.08 -0.13
MCG-40	40	37.55		1.75		37.15	1.57	3.25			
MCG-42	42	39.45		1.75		39.02	1.57	3.25			
MCG-45	45	42.25		1.75		41.77	1.57	3.25			
MCG-46	46	43.15		1.75		42.67	± 0.50	1.57	3.25		
MCG-47	47	44.31		1.75		43.81	1.57	4.01			
MCG-48	48	45.05		1.75		44.48	1.57	4.01			
MCG-50	50	47.05		1.75		46.69	1.57	4.01			
MCG-52	52	48.95		2.15		48.60	± 0.63	1.98	+0.08 -0.08	4.27	
MCG-54	54	50.85		2.15		50.52		1.98		4.27	
MCG-55	55	51.65	2.15	51.26	1.98	4.27					
MCG-57	57	53.60	2.15	53.17	1.98	4.27					
MCG-58	58	54.50	2.15	54.08	1.98	4.27					
MCG-60	60	56.50	2.15	56.05	1.98	5.08					
MCG-62	62	58.40	2.15	57.99	1.98	5.08					
MCG-65	65	61.40	2.15	60.92	1.98	5.08					
MCG-68	68	64.30	2.15	63.80	1.98	5.08					
MCG-70	70	66.20	2.55	65.70	± 0.76	2.29		+0.10 -0.15		5.72	
MCG-72	72	68.10	2.55	67.57		2.29	5.72				
MCG-75	75	71.00	2.55	70.47		2.29	5.72				
MCG-78	78	73.80	2.55	73.25		2.29	5.72				
MCG-80	80	75.70	2.55	75.12		2.29	5.72				
MCG-82	82	77.60	2.55	77.00		2.29	5.72				
MCG-85	85	80.40	2.55	79.79		2.29	5.72				
MCG-88	88	83.30	2.95	82.67		± 0.89	2.72		6.86		