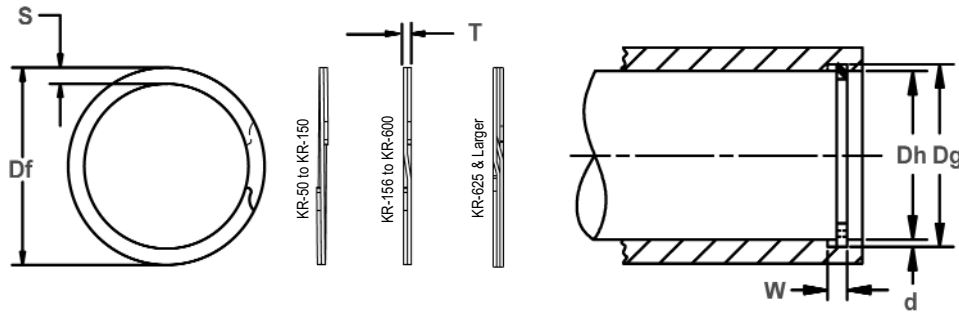


KR Spiral Housing Rings

Internal, Medium-Heavy Duty

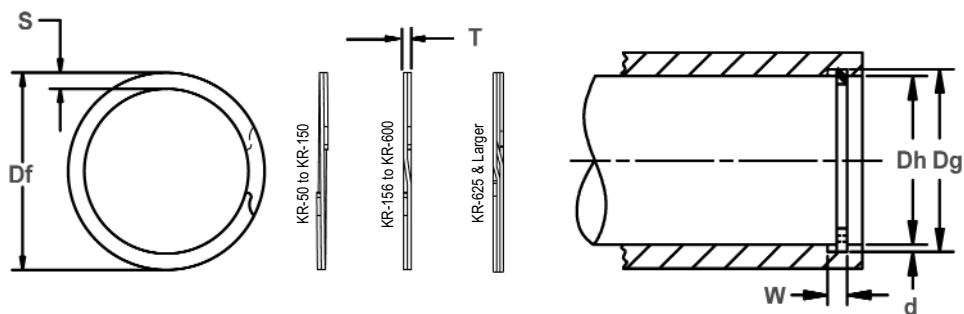
With load bearing capacities closer to the Heavy-duty series, and almost universal groove dimensions, these rings offer greatest ease of assembly with greatest thrust capacity.



Free Diameter & Ring Measurements

Housing Diameter & Groove Dimensions

RING NO.	HOUSING DIAMETER	GROOVE SIZE					RING SIZE						THRUST LOAD (lbs.)		
		DIAMETER		WIDTH		DEPTH	FREE DIAMETER			THICKNESS		SECTION		RING Safety factor of 3	GROOVE Safety factor of 2
		Dg	Tol.	W	Tol.	d	Df	Tol.	T	Tol.	S	Tol.			
KR-50	.500	.524	+ .002/- .002	.039		.012	.529		.035		.045		2530	420	
KR-51	.512	.536	+ .003 - .003	.039	+ .003 - .000	.012	.541	+ .013 - .000	.035	+ .002 - .002	.045		2590	430	
KR-56	.562	.592		.039		.015	.597		.035		.045		2840	600	
KR-62	.625	.659		.039		.017	.665		.035		.045		3160	750	
KR-68	.688	.724		.039		.018	.730		.035		.055		3480	880	
KR-75	.750	.790		.039		.020	.796		.035		.055		3790	1060	
KR-77	.777	.819		.046		.021	.825		.042		.065		4720	1150	
KR-81	.812	.857		.046		.023	.864		.042		.065		4930	1320	
KR-86	.866	.912		.046		.023	.919		.042		.065		5260	1410	
KR-87	.875	.922		.046		.024	.929		.042		.065		5310	1480	
KR-90	.901	.950		.046		.025	.957		.042		.065		5470	1590	
KR-93	.938	.989	.046	.026	.997	.042	.075	5690	1720						
KR-100	1.000	1.055	.046	.028	1.063	.042	.075	6070	1980						
KR-102	1.023	1.079	.046	.028	1.087	.042	.075	6210	2030						
KR-106	1.062	1.120	.056	.029	1.129	.050	.078	7010	2180						
KR-112	1.125	1.185	.056	.030	1.195	.050	.078	7420	2390						
KR-118	1.188	1.250	.056	.031	1.260	.050	.088	7840	2600						
KR-125	1.250	1.320	+ .004 - .004	.035	+ .015 - .000	.035	+ .004 - .004	.050		.093		8250	3090		
KR-131	1.312	1.385		.037		1.395		.050		.093		8660	3430		
KR-137	1.375	1.450		.038		1.461		.050		.098		9070	3690		
KR-143	1.438	1.515		.039		1.526		.050		.103		9490	3960		
KR-145	1.456	1.535		.040		1.546		.050		.108		9610	4120		
KR-150	1.500	1.580		.040		1.591		.050		.108		9900	4240		
KR-156	1.562	1.647		.068		.043		1.659		.062		.113	12780	4750	
KR-162	1.625	1.715		.068		.045		1.727		.062		.113	13290	5170	
KR-165	1.653	1.745		.068		.046		1.757		.062		.118	13520	5380	
KR-168	1.688	1.780		.068		.046		1.793		.062		.118	13810	5490	
KR-175	1.750	1.845	+ .005 - .005	.068	+ .020 - .000	.062	+ .003 - .003	.118		.118		14320	5940		
KR-181	1.812	1.910		.068		.048		1.858		.062		.118	14820	6280	
KR-185	1.850	1.949		.068		.049		1.923		.062		.123	15130	6540	
KR-187	1.875	1.975		.068		.050		1.963		.062		.123	15340	6630	
KR-193	1.938	2.040		.068		.051		2.054		.062		.128	15850	6990	
KR-200	2.000	2.110		.068		.055		2.125		.062		.138	16360	7780	
KR-206	2.062	2.175		.086		.057		2.190		.078		.141	21220	8310	
KR-212	2.125	2.240		.086		.058		2.255		.078		.141	21870	8710	
KR-218	2.188	2.305		.086		.059		2.321		.078		.141	22520	9130	
KR-225	2.250	2.370		.086		.060		2.386		.078		.141	23160	9540	
KR-231	2.312	2.440	+ .006 - .006	.086	+ .005 - .000	.064	+ .025 - .000	.078		.188	+ .005 - .005	23800	10460		
KR-237	2.375	2.505		.086		.065		2.457		.078		.188	24440	10910	
KR-244	2.440	2.570		.086		.065		2.588		.078		.188	25110	11210	
KR-250	2.500	2.635		.086		.068		2.653		.078		.188	25730	12020	
KR-253	2.531	2.668		.086		.069		2.687		.078		.188	26050	12350	
KR-256	2.562	2.700		.103		.069		2.720		.093		.188	29940	12500	
KR-262	2.625	2.765		.103		.070		2.785		.093		.188	30680	12990	
KR-268	2.688	2.834		.103		.073		2.855		.093		.188	31410	13870	
KR-275	2.750	2.900		.103		.075		2.921		.093		.188	32140	14580	
KR-281	2.813	2.965		.103		.076		2.987		.093		.188	32880	15110	
KR-283	2.834	2.987	.103	.077	3.009	.093	.188	33120	15430						



Free Diameter & Ring Measurements

Housing Diameter & Groove Dimensions

RING NO.	HOUSING DIAMETER	GROOVE SIZE					RING SIZE				THRUST LOAD (lbs.)			
		DIAMETER		WIDTH		DEPTH	FREE DIAMETER		THICKNESS		SECTION		RING Safety factor of 3	GROOVE Safety factor of 2
		(In.)	Dg	Tol.	W	Tol.	d	Df	Tol.	T	Tol.	S		
KR-287	2.875	3.030		.103		.078	3.053	+ .025	.093		.188		33600	15850
KR-300	3.000	3.165		.103		.083	3.188	- .000	.093		.188		35060	17600
KR-306	3.062	3.230		.120		.084	3.253		.111		.250		42710	18180
KR-312	3.125	3.295		.120		.085	3.318		.111		.250		43590	18780
KR-315	3.156	3.328		.120		.086	3.354		.111		.250		44040	19190
KR-325	3.250	3.426		.120		.088	3.450		.111		.250		45330	20220
KR-334	3.346	3.525		.120		.090	3.550		.111		.250		46670	21290
KR-346	3.464	3.650		.120		.093	3.675		.111		.250		48320	22770
KR-350	3.500	3.690		.120		.095	3.716	+ .030	.111		.250		48820	23500
KR-354	3.543	3.735	+ .006	.120	+ .005	.096	3.761	- .000	.111	+ .003	.250		49420	24040
KR-356	3.562	3.756	- .006	.120	- .000	.097	3.783		.111	- .003	.250	+ .005 - .005	49690	24420
KR-362	3.625	3.822		.120		.099	3.849		.111		.250		50560	25370
KR-375	3.750	3.955		.120		.103	3.982		.111		.250		52310	27300
KR-387	3.875	4.087		.120		.106	4.115		.111		.250		54050	29030
KR-393	3.938	4.150		.120		.106	4.178		.111		.250		54930	29510
KR-400	4.000	4.220		.120		.110	4.248		.111		.250		55800	31100
KR-412	4.125	4.345		.120		.110	4.373		.111		.312		57540	32070
KR-425	4.250	4.470		.120		.110	4.500		.111		.312		59280	33050
KR-433	4.330	4.556		.120		.113	4.586	+ .035	.111		.312		60400	34590
KR-450	4.500	4.735		.120		.118	4.768	- .000	.111		.312		62770	37530
KR-462	4.625	4.865		.120		.120	4.897		.111		.312		64510	39230
KR-475	4.750	4.995		.120		.123	5.028		.111		.312		66260	41300
KR-500	5.000	5.260		.120		.130	5.295		.111		.312		69740	45950
KR-525	5.250	5.520		.139		.135	5.559		.127		.375		83790	50100
KR-537	5.375	5.645	+ .007	.139	+ .006	.135	5.685	+ .045	.127	+ .004	.375		85780	51290
KR-550	5.500	5.770	- .007	.139	- .000	.135	5.810	- .000	.127	- .004	.375		87780	52480
KR-575	5.750	6.020		.139		.135	6.062		.127		.375		91770	54870
KR-600	6.000	6.270		.139		.135	6.314		.127		.375		95760	57260
KR-625	6.250	6.530		.174		.140	6.576		.165		.312	+ .006 - .006	129590	61850
KR-650	6.500	6.790		.174		.145	6.837	+ .055	.165		.312		134780	66620
KR-662	6.625	6.925		.174		.150	6.973	- .000	.165		.312		137370	70240
KR-675	6.750	7.055		.174		.153	7.104		.165		.312		139960	73000
KR-700	7.000	7.315		.174		.158	7.366		.165		.312		145140	78180
KR-725	7.250	7.575		.209		.163	7.628		.189		.375		172190	83530
KR-750	7.500	7.840		.209		.170	7.895		.189		.375		178130	90120
KR-775	7.750	8.100		.209		.175	8.156		.189		.375		184070	95870
KR-800	8.000	8.360	+ .008 - .008	.209	+ .008 - .000	.180	8.418		.189	+ .005 - .005	.375		190000	101790
KR-825	8.250	8.620		.209		.185	8.680		.189		.375		195940	107880
KR-850	8.500	8.880		.209		.190	8.942		.189		.375		201880	114160
KR-875	8.750	9.145		.209		.198	9.209	+ .070	.189	- .000	.375		207820	122460
KR-900	9.000	9.405		.209		.203	9.471		.189		.375		213750	129140
KR-925	9.250	9.669		.209		.210	9.736		.189		.375		219690	137310
KR-950	9.500	9.930		.209		.215	9.999		.189		.375		225630	144380
KR-975	9.750	10.189		.209		.220	10.260		.189		.375		231570	151620
KR-1000	10.000	10.450		.209		.225	10.552		.189		.375		237500	159040
KR-1050	10.500	10.970		.209		.235	11.072		.189		.375		249380	174420