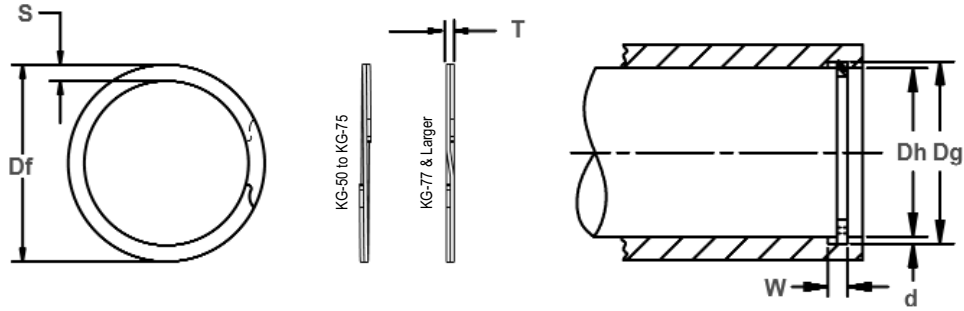


# KG Spiral Housing Rings

## Internal, Heavy Duty

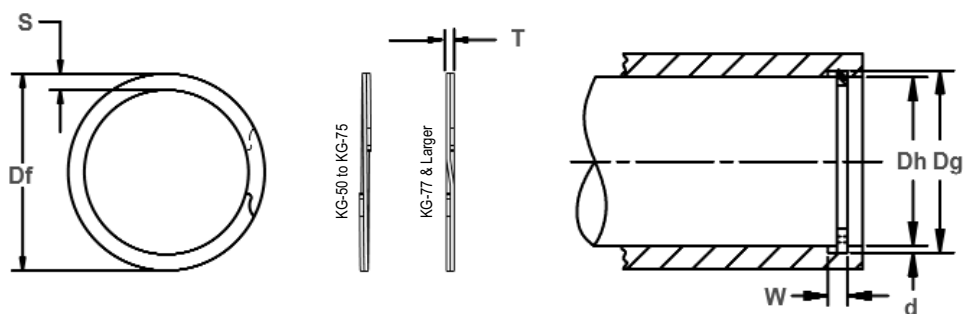
The greatest size range and thrust capacity make these rings the only choice for applications that require minimum deflection or thrust loads that demand a deep groove capacity.



Free Diameter & Ring Measurements

Housing Diameter & Groove Dimensions

RING NO.	HOUSING DIAMETER	GROOVE SIZE					RING SIZE				THRUST LOAD (lbs.)			
		DIAMETER		WIDTH		DEPTH	FREE DIAMETER		THICKNESS		SECTION		RING Safety factor of 3	GROOVE Safety factor of 2
		(In.)	Dg	Tol.	W	Tol.	d	Df	Tol.	T	Tol.	S	Tol.	
KG-50	.500	.530		.039		.015	.538		.035		.045		2530	530
KG-51	.512	.542		.039		.015	.550		.035		.045		2590	540
KG-56	.562	.596	+ .002	.039		.017	.605		.035		.055		2840	680
KG-62	.625	.665	- .002	.039		.020	.675		.035		.055		3160	880
KG-68	.688	.732		.039		.022	.743		.035		.065		3480	1070
KG-75	.750	.796		.039	+ .003	.023	.807		.035		.065		3790	1220
KG-77	.777	.825		.046	- .000	.024	.836		.042		.075		4720	1320
KG-81	.812	.862		.046		.025	.873		.042		.075		4930	1440
KG-86	.866	.920		.046		.027	.931		.042		.075		5260	1650
KG-87	.875	.931	+ .003	.046		.028	.943		.042		.085		5310	1730
KG-90	.901	.959	- .003	.046		.029	.972	+ .013	.042	+ .002	.085		5470	1850
KG-93	.938	1.000		.046		.031	1.013	- .000	.042	- .002	.085	+ .004	5690	2060
KG-100	1.000	1.066		.046		.033	1.080		.042		.085	- .004	6070	2330
KG-102	1.023	1.091		.046		.034	1.105		.042		.085		6210	2460
KG-106	1.062	1.130		.056		.034	1.138		.050		.103		7010	2550
KG-112	1.125	1.197		.056		.036	1.205		.050		.103		7420	2860
KG-118	1.188	1.262		.056		.037	1.271		.050		.103		7840	3110
KG-125	1.250	1.330	+ .004	.056		.040	1.339		.050		.103		8250	3530
KG-131	1.312	1.396	- .004	.056		.042	1.406		.050		.118		8660	3900
KG-137	1.375	1.461		.056	+ .004	.043	1.471		.050		.118		9070	4180
KG-143	1.439	1.528		.056	- .000	.045	1.539		.050		.118		9490	4580
KG-145	1.456	1.548		.056		.046	1.559		.050		.118		9610	4730
KG-150	1.500	1.594		.056		.047	1.605		.050		.118		9900	4980
KG-156	1.562	1.658		.068		.048	1.675		.062		.128		12780	5300
KG-162	1.625	1.725	+ .005	.068		.050	1.742	+ .020	.062	+ .003	.128		13290	5740
KG-165	1.653	1.755	- .005	.068		.051	1.772	- .000	.062	- .003	.128		13520	5960
KG-168	1.688	1.792		.068		.052	1.810		.062		.128		13810	6210
KG-175	1.750	1.858		.068		.054	1.876		.062		.128		14320	6680



Free Diameter & Ring Measurements

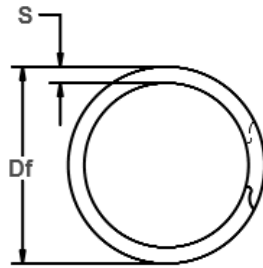
Housing Diameter & Groove Dimensions

RING NO.	HOUSING DIAMETER	GROOVE SIZE					RING SIZE						THRUST LOAD (lbs.)		
		DIAMETER		WIDTH		DEPTH	FREE DIAMETER			THICKNESS		SECTION		RING Safety factor of 3	GROOVE Safety factor of 2
		(In.)	Dg	Tol.	W	Tol.	d	Df	Tol.	T	Tol.	S	Tol.		
KG-181	1.812	1.922		.068		.055	1.940		.062		.128		14820	7050	
KG-185	1.850	1.962	+ .005	.068	+ .004	.056	1.981	+ .020	.062		.158	+ .004	15130	7320	
KG-187	1.875	1.989	- .005	.068	- .000	.057	2.008	- .000	.062		.158	- .004	15340	7560	
KG-193	1.938	2.056		.068		.059	2.075		.062		.158		15850	8080	
KG-200	2.000	2.122		.068		.061	2.142		.062		.158		16360	8620	
KG-206	2.062	2.186		.086		.062	2.201		.078		.168		21220	9040	
KG-212	2.125	2.251		.086		.063	2.267		.078		.168		21870	9460	
KG-218	2.188	2.318		.086		.065	2.334		.078		.168		22520	10050	
KG-225	2.250	2.382		.086		.066	2.399		.078		.168		23160	10500	
KG-231	2.312	2.450		.086		.069	2.467	+ .025	.078		.200		23800	11280	
KG-237	2.375	2.517		.086		.071	2.535	- .000	.078		.200		24440	11920	
KG-244	2.440	2.584		.086		.072	2.602		.078	+ .003	.200		25110	12420	
KG-250	2.500	2.648		.086		.074	2.667		.078	- .003	.200		25730	13080	
KG-253	2.531	2.681		.086		.075	2.700		.078		.200		26050	13420	
KG-256	2.562	2.714	+ .006	.103	+ .005	.076	2.733		.093		.225		29940	13760	
KG-262	2.625	2.781	- .006	.103	- .000	.078	2.801		.093		.225		30680	14470	
KG-268	2.688	2.848		.103		.080	2.868		.093		.225	+ .005	31410	15200	
KG-275	2.750	2.914		.103		.082	2.934	+ .030	.093		.225	- .005	32140	15940	
KG-281	2.813	2.980		.103		.084	3.001	- .000	.093		.225		32880	16700	
KG-283	2.834	3.006		.103		.086	3.027		.093		.225		33120	17230	
KG-287	2.875	3.051		.103		.088	3.072		.093		.225		33600	17880	
KG-300	3.000	3.182		.103		.091	3.204		.093		.225		35060	18300	
KG-306	3.062	3.248		.120		.093	3.271		.111		.281		42710	20130	
KG-312	3.125	3.315		.120		.095	3.338		.111		.281		43590	20990	
KG-315	3.157	3.348		.120		.096	3.371	+ .035	.111		.281		44040	21420	
KG-325	3.250	3.446		.120		.098	3.470	- .000	.111		.281		45330	22510	
KG-334	3.346	3.546		.120		.100	3.571		.111		.281		46670	23650	
KG-347	3.464	3.675		.120		.105	3.701		.111		.281		48320	25710	

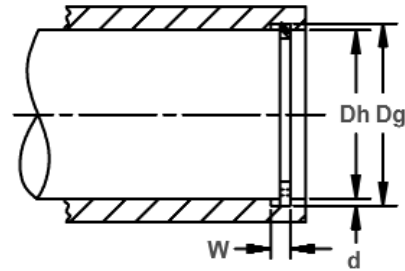
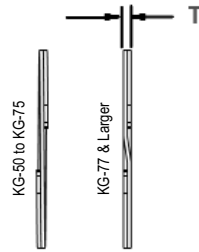
# KG Spiral Housing Rings

## Internal, Heavy Duty

The greatest size range and thrust capacity make these rings the only choice for applications that require minimum deflection or thrust loads that demand a deep groove capacity.

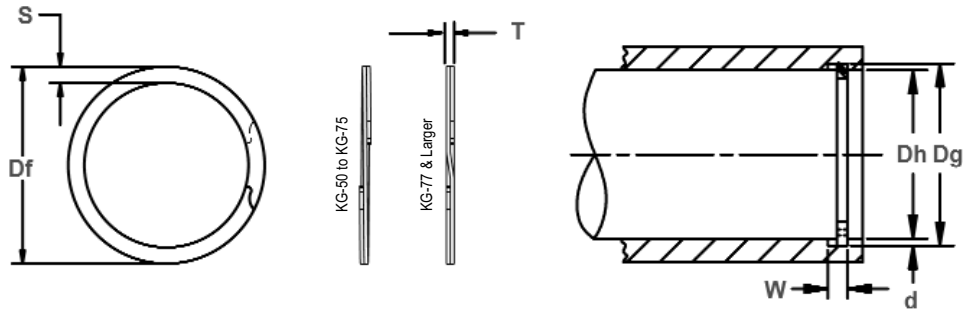


Free Diameter & Ring Measurements



Housing Diameter & Groove Dimensions

RING NO.	HOUSING DIAMETER	GROOVE SIZE					RING SIZE						THURST LOAD (lbs.)		
		DIAMETER		WIDTH		DEPTH	FREE DIAMETER		THICKNESS		SECTION		RING Safety factor of 3	GROOVE Safety factor of 2	
		(In.)	Dg	Tol.	W	Tol.	d	Df	Tol.	T	Tol.	S	Tol.		
KG-350	3.500	3.710		.120		.105	3.736		.111		.281			48820	25980
KG-354	3.543	3.755		.120		.106	3.781		.111		.281			49420	26550
KG-356	3.562	3.776		.120		.107	3.802		.111		.281		+ .005 - .005	49690	26940
KG-362	3.625	3.841		.120		.108	3.868		.111		.281			50560	27670
KG-375	3.750	3.974		.120		.112	4.002		.111		.312			52310	29690
KG-387	3.875	4.107	+ .006 - .006	.120	+ .005 - .000	.116	4.136	+ .035 - .000	.111	+ .003 - .003	.312			54050	31770
KG-393	3.938	4.174		.120		.118	4.203		.111		.312			54930	32850
KG-400	4.000	4.240		.120		.120	4.270		.111		.312			55800	33930
KG-412	4.125	4.365		.120		.120	4.395		.111		.312			57540	34990
KG-425	4.250	4.490		.120		.120	4.520		.111		.312			59280	36050
KG-433	4.330	4.570		.120		.120	4.600		.111		.312			60400	36730
KG-450	4.500	4.740		.120		.120	4.770		.111		.312			62770	38170
KG-462	4.625	4.865		.120		.120	4.899		.111		.312		+ .006 - .006	64510	39230
KG-475	4.750	4.995		.120		.123	5.030		.111		.312			66260	41300
KG-500	5.000	5.260		.120		.130	5.297		.111		.312			69740	45950
KG-525	5.250	5.520		.139		.135	5.559		.127		.350			83790	50100
KG-537	5.375	5.645	+ .007 - .007	.139	+ .006 - .000	.135	5.685	+ .050 - .000	.127	+ .004 - .004	.350			85780	51290
KG-550	5.500	5.770		.139		.135	5.810		.127		.350			87780	52480
KG-575	5.750	6.020		.139		.135	6.062		.127		.350			91770	54870
KG-600	6.000	6.270		.139		.135	6.314		.127		.350			95760	57260
KG-625	6.250	6.530		.174		.140	6.576		.156		.380			122520	61850
KG-650	6.500	6.790		.174		.145	6.838	+ .055 - .000	.156		.380			127420	66620
KG-662	6.625	6.925		.174		.150	6.974		.156		.380			129870	70240
KG-675	6.750	7.055	+ .008 - .008	.174	+ .008 - .000	.153	7.105		.156	+ .005 - .005	.380			132320	73000
KG-700	7.000	7.315		.174		.158	7.366		.156		.380			137230	78180
KG-725	7.250	7.575		.209		.163	7.628	+ .070 - .000	.187		.418		+ .007 - .007	170370	83530
KG-750	7.500	7.840		.209		.170	7.895		.187		.418			176240	90120
KG-775	7.750	8.100		.209		.175	8.157		.187		.418			182120	95870



Free Diameter & Ring Measurements

Housing Diameter & Groove Dimensions

RING NO.	HOUSING DIAMETER	GROOVE SIZE					RING SIZE				THRUST LOAD (lbs.)			
		DIAMETER		WIDTH		DEPTH	FREE DIAMETER		THICKNESS		SECTION		RING Safety factor of 3	GROOVE Safety factor of 2
		(In.)	Dg	Tol.	W	Tol.	d	Df	Tol.	T	Tol.	S		
KG-800	8.000	8.360		.209		.180	8.419		.187		.418		187990	101790
KG-825	8.250	8.620		.209		.185	8.680		.187		.437		193870	107880
KG-850	8.500	8.880		.209		.190	8.942		.187		.437		199740	114160
KG-875	8.750	9.145	+.008	.209		.198	9.209	+.070	.187		.437		205620	122460
KG-900	9.000	9.405	-.008	.209		.203	9.471	-.000	.187		.437		211490	129140
KG-925	9.250	9.669		.209		.210	9.737		.187		.437		217370	137310
KG-950	9.500	9.930		.209		.215	10.000		.187		.500		223240	144380
KG-975	9.750	10.189		.209		.220	10.260		.187		.500		229120	150620
KG-1000	10.000	10.450		.209		.225	10.523		.187		.500		234990	159040
KG-1025	10.250	10.711		.209		.235	10.786		.187		.500		246740	174420
KG-1050	10.500	10.970		.209		.231	11.047		.187		.500		240870	167370
KG-1075	10.750	11.234		.209	+.008	.242	11.313		.187	+.005	.500		252620	183890
KG-1100	11.000	11.495		.209	-.000	.248	11.575		.187	-.005	.500		258490	192830
KG-1125	11.250	11.756	+.010	.209		.253	11.838		.187		.500		264370	201190
KG-1150	11.500	12.018	-.010	.209		.259	12.102	+.120	.187		.562		270240	210540
KG-1175	11.750	12.279		.209		.265	12.365	-.000	.187		.562		276120	220100
KG-1200	12.000	12.540		.209		.270	12.628		.187		.562		281990	229020
KG-1225	12.250	12.801		.209		.276	12.891		.187		.562		287860	238990
KG-1250	12.500	13.063		.209		.282	13.154		.187		.562		293740	249170
KG-1275	12.750	13.324		.209		.287	13.417		.187		.562		299610	258660
KG-1300	13.000	13.585		.209		.293	13.680		.187		.662		305490	269240
KG-1325	13.250	13.846		.209		.298	13.943		.187		.662		311360	279100
KG-1350	13.500	14.108		.209		.304	14.207		.187		.662		317240	290100
KG-1375	13.750	14.369	+.012	.209		.310	14.470	+.140	.187		.662		323110	301300
KG-1400	14.000	14.630	-.012	.209		.315	14.732	-.000	.187		.662		328990	311730
KG-1425	14.250	14.891		.209		.321	14.995		.187		.662		334860	323340
KG-1450	14.500	15.153		.209		.327	15.259		.187		.750		340740	335160
KG-1475	14.750	15.414		.209		.332	15.522		.187		.750		346610	346150
KG-1500	15.000	15.675		.209		.338	15.785		.187		.750		352490	358380