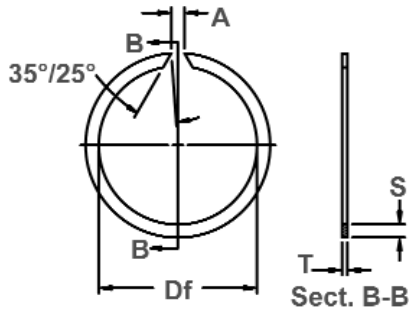


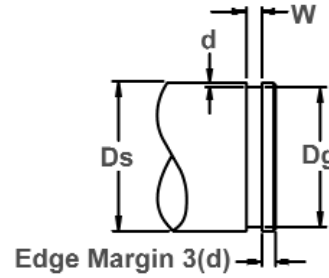
Snap Ring, External, Inch

A light-duty ring designed for needle bearings, once installed in the groove of a shaft the portion of the ring protruding from the groove holds an assembly in place.

SNL Constant Section Rings



Free Diameter & Ring Measurements



Shaft Diameter & Groove Dimensions

Material: SAE 1060-1075

RING SIZE	SHAFT DIAMETER			GROOVE SIZE			RING DIMENSIONS					ALLOWABLE STATIC THRUST LOAD (Lbs.)			
				DIAMETER		WIDTH	DEPTH	FREE DIAMETER	THICKNESS	SECTION			FREE GAP		
	Ds DEC	Ds FRACT.	Ds mm	Dg	TOL.	W	d	Df	TOL.	T ±.002	S		TOL.	A min	A Max
SNL-50	.500	1/2	12.7	.474		.039	.013	.465	+ .000	.035	.048		.062	.218	460
SNL-62	.625	5/8	15.88	.597	±.002	+.003 -.000	.014	.587	-.025	.035	.062	±.003	.062	.218	520
SNL-75	.750	3/4	19.05	.716			.017	.704			.042		.078		.062
SNL-87	.875	7/8	22.23	.833	±.003		.021	.823		.042	.093		.125	.281	1100
SNL-100	1.000	1	25.40	.954				.023		.944			.042	.093	
SNL-112	1.125	1-1/8	25.58	1.077			.024	1.065	+ .000	.042	.125		.125	.281	1600
SNL-118	1.187	1-3/16	30.15	1.135				.026		1.120	-.031		.042	.125	
SNL-125	1.250	1-1/4	31.75	1.194			.028	1.179		.042		.125		.125	.281
SNL-131	1.312	1-5/16	33.32	1.252				.030		1.232		.042		.125	
SNL-137	1.375	1-3/8	34.93	1.309	±.004	.046 +.003 -.000	.033	1.289		.042	.125		.125	.281	2010
SNL-143	1.437	1-7/16	36.50	1.369				.034		1.349			.042	.125	
SNL-150	1.500	1-1/2	38.10	1.430			.035	1.410		.042	.125		.125	.281	2260
SNL-162	1.625	1-5/8	41.28	1.545				.040		1.520	+ .000		.042	.156	±.005
SNL-168	1.687	1 -11/16	42.85	1.607		.040	1.582	-.062	.042	.156			.156	.437	
SNL-175	1.750	1-3/4	44.45	1.670			.040		1.645		.042	.156		.156	.437
SNL-193	1.937	1-15/16	49.20	1.857				.040	1.832		+ .000	.042		.156	
SNL-200	2.000	2	50.80	1.920			.040	1.895	-.062	.042		.156		.156	
SNL-218	2.187	2-3/16	55.55	2.107				.040		2.082		.042		.156	
SNL-225	2.250	2-1/4	57.15	2.170			.040	2.145		.042	.156		.156	.437	3500
SNL-237	2.375	2-3/8	60.33	2.295				.040		2.270			.042	.156	
SNL-250	2.500	2-1/2	63.50	2.420			.040	2.390		.042	.156		.156	.437	3650
SNL-275	2.750	2-3/4	69.85	2.626				.062		2.596	+ .000		.062	.187	±.006
SNL-293	2.937	2-15/16	74.60	2.813		.062	2.783	-.078	.062	.187			.156	.468	
SNL-300	3.000	3	76.20	2.876	±.006	.068 +.004 -.000	.062		2.846	+ .000	.062	.187		.156	.468
SNL-312	3.125	3-1/8	79.38	3.000				.062	2.965		-.078	.062		.187	
SNL-325	3.250	3-1/4	82.55	3.125		.062	3.090		.062	.187			.156	.468	6500
SNL-337	3.375	3-3/8	85.73	3.250		.062	3.215		.062	.187		.156	.468	6600	
SNL-350	3.500	3-1/2	88.90	3.375		.062	3.340		.062	.187		.156	.468	6700	
SNL-375	3.750	3-3/4	95.25	3.610		.070	3.570	+ .000	.078	.218	±.005	.187	.562	8800	
SNL-400	4.000	4	101.60	3.860		.070	3.820		-.093	.078		.218		.187	.562
SNL-425	4.250	4-1/4	107.95	4.110		.070	4.070	+ .000		.078	.218		.187	.562	9200
SNL-450	4.500	4-1/2	114.30	4.360		.070	4.320		-.093	.078	.218			.187	.562
SNL-475	4.750	4-3/4	120.65	4.610		.070	4.560			.078	.218		.187	.562	9200
SNL-500	5.000	5	127.00	4.860		.070	4.800		.078	.218		.187	.562	9000	
SNL-550	5.500	5-1/2	139.70	5.340		.103 +.005 -.000	.080	5.280	+ .000	.093	.250	±.008	.218	.750	13000
SNL-600	6.000	6	152.40	5.840				.080		5.775	-.125		.093	.250	
SNL-650	6.500	6-1/2	165.10	6.340		.080	6.270		.093	.250			.218	.750	7500
SNL-700	7.000	7	177.80	6.840		.080	6.765		.093	.250		.218	.750	6100	
SNL-750	7.500	7-1/2	190.50	7.320		.120 +.005 -.000'	.090	7.245	+ .000	.109	.281		.218	.812	
SNL-800	8.000	8	203.24	7.820				.090		7.740	-.156		.109	.281	

Hardness: All Ring Sizes - HRC 42-52