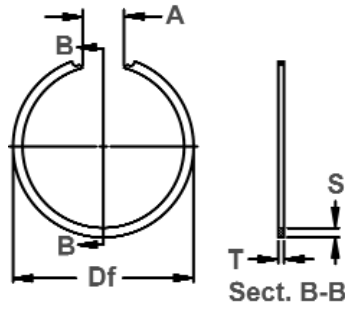


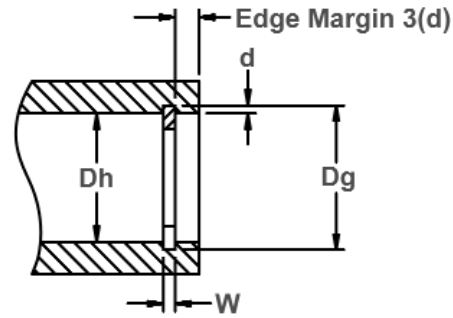
Snap Ring, Internal, Inch

Designed for needle bearings, once installed in the groove of a housing/bore, the portion of the ring protruding from the groove holds an assembly in place.

HN Constant Section Rings



Free Diameter & Ring Measurement with Section B-B



Housing Diameter & Groove Dimensions

Material SAE 1060-1075

| RING SIZE | HOUSING DIAMETER | | | GROOVE SIZE | | | RING DIMENSIONS | | | | | ALLOWABLE STATIC THRUST LOAD (Lbs.) | | | |
|-----------|------------------|-----------|--------|-------------|--------|-------|-----------------|---------------|-------|-----------|---------|-------------------------------------|-------|----------|-------|
| | | | | DIAMETER | | WIDTH | DEPTH | FREE DIAMETER | | THICKNESS | SECTION | | | FREE GAP | |
| | Dh DEC | Dh FRACT. | Dh mm | Dg | TOL. | W | d | Df | TOL. | T ±.002 | S | | | TOL. | A Min |
| HN-112 | 1.125 | 1-1/8 | 28.58 | 1.181 | ± .005 | .046 | .028 | 1.196 | +.031 | .042 | .093 | ± .003 | .375 | .562 | 1100 |
| HN-125 | 1.250 | 1-1/4 | 31.75 | 1.310 | | | .030 | 1.330 | | .042 | .093 | | .375 | .562 | 1360 |
| HN-137 | 1.375 | 1-3/8 | 34.93 | 1.435 | | | .030 | 1.460 | | .042 | .093 | | .375 | .562 | 1600 |
| HN-150 | 1.500 | 1-1/2 | 38.10 | 1.580 | | | .040 | 1.600 | | .042 | .125 | | .375 | .562 | 1900 |
| HN-162 | 1.625 | 1-5/8 | 41.28 | 1.705 | | | .040 | 1.725 | | .042 | .125 | | .437 | .750 | 1930 |
| HN-175 | 1.750 | 1-3/4 | 44.45 | 1.830 | | | .040 | 1.855 | | .042 | .125 | | .437 | .750 | 1960 |
| HN-187 | 1.875 | 1-7/8 | 47.63 | 1.965 | | | .045 | 1.990 | | .042 | .156 | | .437 | .750 | 2090 |
| HN-200 | 2.000 | 2 | 50.80 | 2.090 | | | .045 | 2.115 | | .042 | .156 | | .437 | .750 | 2200 |
| HN-206 | 2.062 | 2-1/16 | 52.37 | 2.152 | | | .045 | 2.177 | | .042 | .156 | | .437 | .750 | 2340 |
| HN-218 | 2.187 | 2-3/16 | 55.55 | 2.277 | | | .045 | 2.302 | | .042 | .156 | | .437 | .750 | 2700 |
| HN-231 | 2.312 | 2-5/16 | 58.72 | 2.402 | .045 | 2.432 | .042 | .156 | .437 | .750 | 2900 | | | | |
| HN-243 | 2.437 | 2-7/16 | 61.90 | 2.527 | .045 | 2.557 | .042 | .156 | .437 | .750 | 3000 | | | | |
| HN-256 | 2.562 | 2-9/16 | 65.07 | 2.652 | .045 | 2.682 | .042 | .156 | .437 | .750 | 3200 | | | | |
| HN-300 | 3.000 | 3 | 76.20 | 3.124 | ± .006 | .068 | .062 | 3.154 | +.078 | .062 | .187 | ± .005 | .562 | .938 | 6250 |
| HN-325 | 3.250 | 3-1/4 | 82.55 | 3.374 | | | .062 | 3.404 | | .062 | .187 | | .562 | .938 | 6500 |
| HN-350 | 3.500 | 3-1/2 | 88.90 | 3.624 | | | .062 | 3.654 | | .062 | .187 | | .562 | .938 | 6700 |
| HN-375 | 3.750 | 3-3/4 | 95.25 | 3.874 | | | .062 | 3.904 | | .062 | .187 | | .562 | .938 | 6100 |
| HN-400 | 4.000 | 4 | 101.60 | 4.125 | | | .062 | 4.155 | | .062 | .187 | | .562 | .938 | 7000 |
| HN-425 | 4.250 | 4-1/4 | 107.95 | 4.394 | | | .072 | 4.429 | | .078 | .218 | | .625 | 1.062 | 9100 |
| HN-450 | 4.500 | 4-1/2 | 114.30 | 4.644 | | | .072 | 4.679 | | .078 | .218 | | .625 | 1.062 | 9400 |
| HN-475 | 4.750 | 4-3/4 | 120.65 | 4.894 | | | .072 | 4.929 | | .078 | .218 | | .625 | 1.062 | 9200 |
| HN-500 | 5.000 | 5 | 127.00 | 5.144 | | | .072 | 5.184 | | .078 | .218 | | .625 | 1.062 | 9000 |
| HN-525 | 5.250 | 5-1/4 | 133.35 | 5.394 | | | .072 | 5.434 | | .078 | .218 | | .625 | 1.062 | 8800 |
| HN-575 | 5.750 | 5-3/4 | 146.05 | 5.894 | .072 | 5.934 | .078 | .218 | .625 | 1.062 | 8950 | | | | |
| HN-600 | 6.000 | 6 | 152.40 | 6.160 | ± .007 | .103 | .080 | 6.220 | +.125 | .093 | .250 | ± .005 | .875 | 1.437 | 9000 |
| HN-650 | 6.500 | 6-1/2 | 165.10 | 6.660 | | | .080 | 6.730 | | .093 | .250 | | .875 | 1.437 | 7500 |
| HN-700 | 7.000 | 7 | 177.80 | 7.160 | | | .080 | 7.240 | | .093 | .250 | | .875 | 1.437 | 6200 |
| HN-725 | 7.250 | 7-1/4 | 184.15 | 7.410 | | | .080 | 7.500 | | .093 | .250 | | 1.000 | 1.750 | 6100 |
| HN-750 | 7.500 | 7-1/2 | 190.50 | 7.660 | | | .080 | 7.760 | | .093 | .250 | | 1.000 | 1.750 | 6000 |
| HN-800 | 8.000 | 8 | 203.20 | 8.160 | | | .080 | 8.285 | | .093 | .250 | | 1.000 | 1.750 | 5700 |

Hardness: All Ring Sizes-HRC 42-52